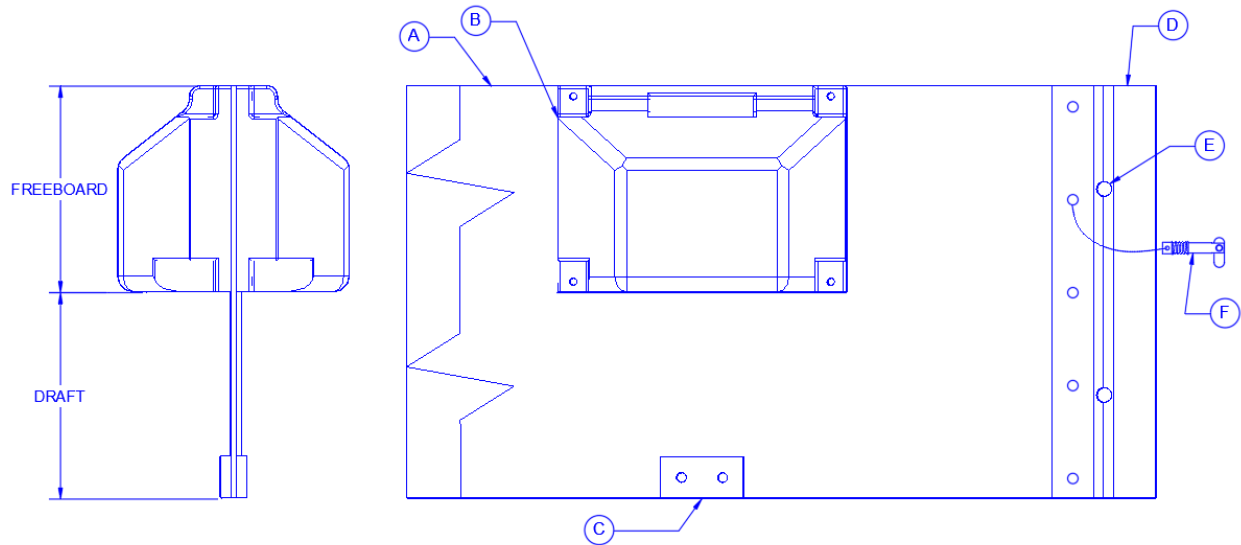


## Texas Boom Company Specifications – 36 Inch Permanent Boom



<b>36 Inch Permanent Containment Boom</b>
<b>TXB-PB-36</b>
<b>Diagram Illustrative Only – Not to Scale</b>
<b>Freeboard:</b> 10 inches
<b>Draft:</b> 26 inches
<b>Section length:</b> 50 feet
<b>Floats per 50' section:</b> 20
<b>Fabric:</b> 150 oz PVC Conveyor Belt w/ UV protection and marine growth inhibitor
<b>Color:</b> Black belt with orange floats
<b>Floation:</b> Polyethylene (PE) shells with UVEXTM antioxidant and UV protection filled with oil impervious closed-cell foam
<b>Ballast:</b> Galvanized steel plates
<b>End connectors:</b> ASTM F962-94 universal "Z" connector, fitted with stainless steel toggle pin and lanyard
<b>Anchor points:</b> 2
<b>Weight per 50' section:</b> 325 pounds
<b>Barrier ultimate tensile strength:</b> 27,000 pounds
<b>Buoyancy to weight ratio:</b> 3:1
<b>Section length options:</b> 25 ft / 50 ft

Boom Configuration
<b>A:</b> Belt
<b>B:</b> Foam Filled Polyethylene Float
<b>C:</b> Ballast Plate
<b>D:</b> ASTM End Connectors
<b>E:</b> Toggle Pin hole
<b>F:</b> Toggle Pin



**Texas Boom Company**  
**16600 Park Row Drive**  
**Houston, TX 77084**  
**(281) 441-2002**  
[sales@texasboom.com](mailto:sales@texasboom.com)  
[www.TexasBoom.com](http://www.TexasBoom.com)